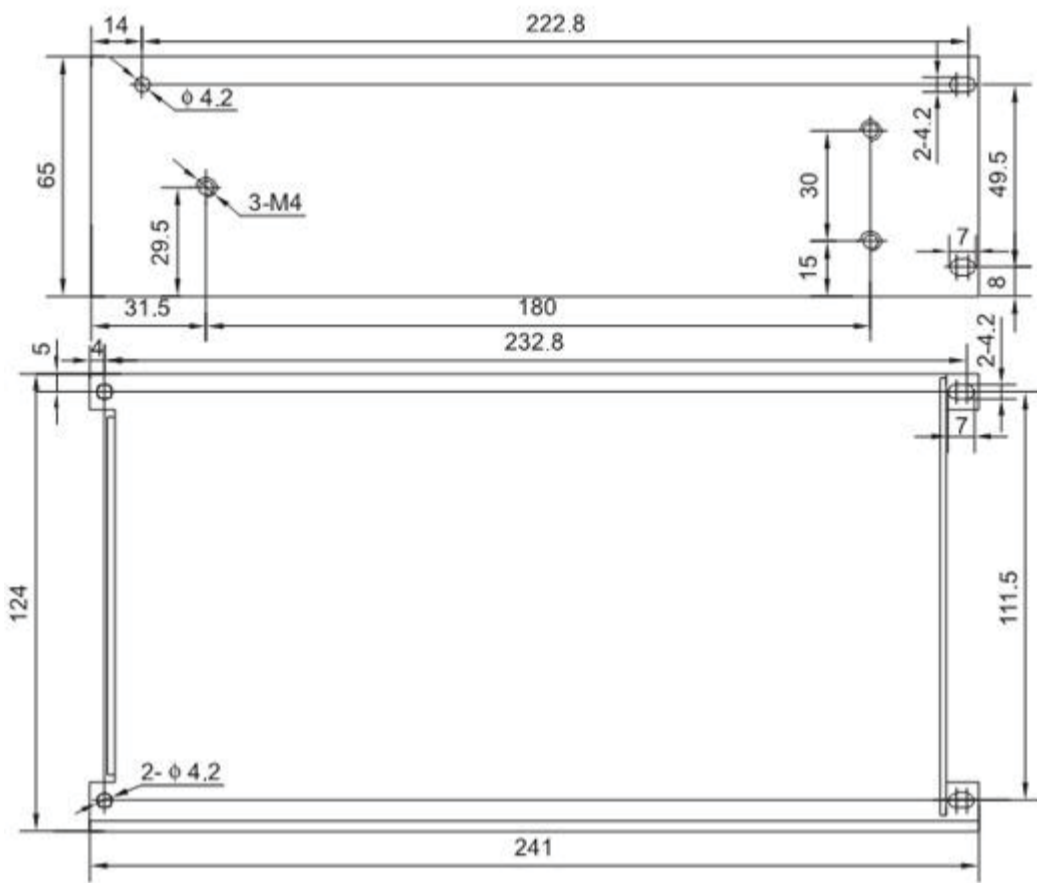




300 Watt LED power supply
 Input voltage 170 - 264 AC
 25 Amps at 12 Volts
 Cooling - fan assisted

Drawing (Unit: mm)



Features

- Direct Assembly on DIN -Rail.
- Touch -guard Screw Terminals.
- Overload Protection, Constant Current Limiting, Reset: Auto Recovery.
- Short -Circuit Proof, 100% Full Load Burn-in Test.
- Built-in EMI Filter, Low Ripple Noise.
- Simple primary hook -ups, Class 2 outputs.
- No minimum load, no load balancing and no dip switches.
- Proven reliability, rugged housings.

Part Numbers

Part Number	Description	Unit
PSULED30012	Open frame, 300W, 12VDC 25A, 240VAC input	pcs
PSULED30024	Open frame, 300W, 24VDC 12.5A, 240VAC input	pcs

Technical Specifications

Part Number	PSULED30012	PSULED30024
Specification		
Input Voltage	85 VAC~132 VAC, 170 VAC~264 VAC	85 VAC~132 VAC, 170 VAC~264 VAC
Input frequency	47 Hz ~63Hz	47 Hz ~63Hz
Output Voltage	12VDC	24VDC
Output Current	25A	12.5A
Line regulation	<± 0.5%	<± 0.5%
Full load efficiency	>83%	>83%
Inrush current	40 A/ 230V (cold start)	40 A/ 230V (cold start)
Input leakage current	< 0.7 mA/230 VAC	< 0.7 mA/230 VAC
Output voltage adjust range	± 10%	± 10%
Output overload current protection	110%~130%	110%~130%
Output overload voltage protection	115%~150%	115%~150%
Rise time	50 ms@ full load(typical)	50 ms@ full load(typical)
Hold-up time	20 ms@ full load(typical)	20 ms@ full load(typical)
Operating temperature & humidity	-10?~ 50? (14? ~122?), 20%~ 90%RH(non-condensing)	-10?~ 50? (14? ~122?), 20%~ 90%RH(non-condensing)
Storage temperature & humidity	-20?~ 85? (-4? ~185?), 20%~ 95%RH(non-condensing)	-20?~ 85? (-4? ~185?), 20%~ 95%RH(non-condensing)
Cooling method	Fan	Fan
Work environment	Indoor use, applicable for dry environment	Indoor use, applicable for dry environment
Dimension	L241×W124×H65 mm (L9.5 * W4.9 * H2.6 inch)	L241×W124×H65 mm (L9.5 * W4.9 * H2.6 inch)